

SC134

Full Bridge Micro Load Cell



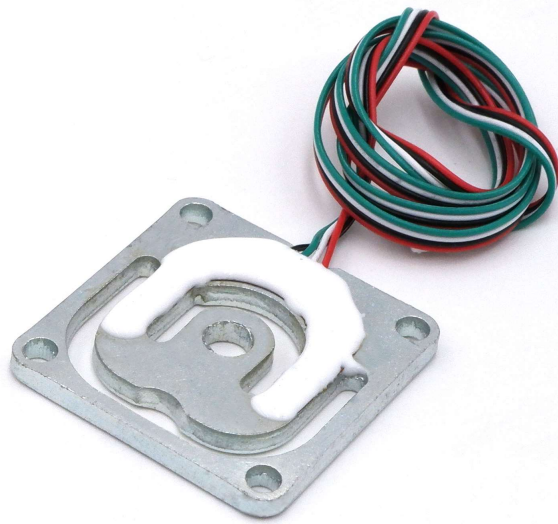
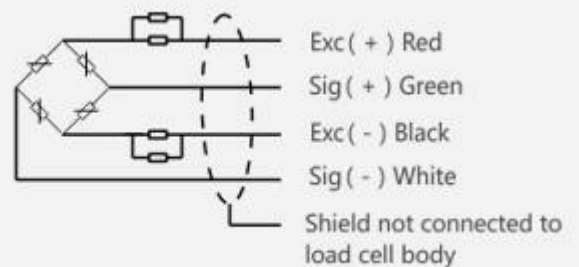
Application: body scale, dancing machine and other weighing devices.

Item: Full bridge load cell, 4 wires per each load cell, 1 unit is one set.

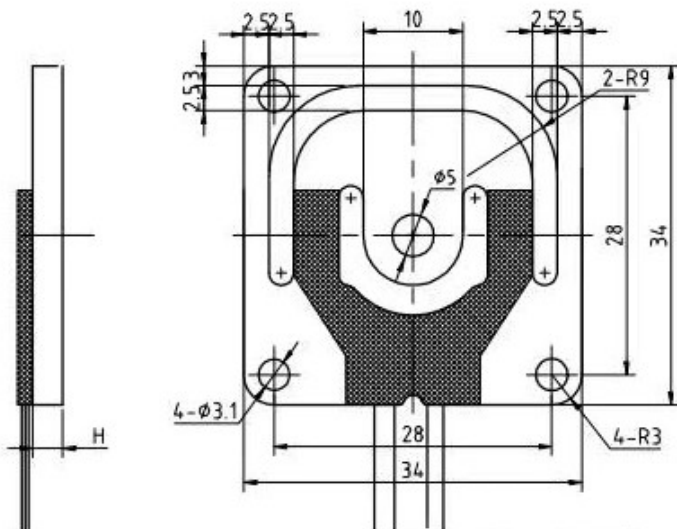
Specification:

Rated capacity	100kg
Accuracy	0.05% F·S
Zero balance	±0.3mv/V
Output sensitivity	1.0±0.2mV/V
linearity	0.05% F·S
Repeatability	0.05% F·S
Hysteresis error	0.05% F·S
Creep	0.05% F·S /3min
Temp. effect on span	±0.1% F·S /10℃
Temp. effect on zero	±0.1% F·S /10℃
Input resistance	1000±10Ω
Output resistance	1000±10Ω
Insulation resistance	≥2000MΩ
Excitation voltage	5~10VDC
Operating temp. range	-10~+40℃
Defend grade	IP66
Connecting cable	Φ8x200mm
Unit weight	12g /unit
Material	alloy steel
Ultimate overload	150% F·S

Wiring:



Size: 34x34xH mm



Capacity	H
5kg-20kg	1.5mm
30kg	2mm
50kg -75kg	2.5mm
100kg	3mm
150-200kg	4mm
300kg	5mm